

General Data

Format	DIN
Product standards	IEC 61643-21



PART NUMBERS

XXX	30	110
BNV XXX	77850655	77850660

SURGE PROTECTION DEVICE (SPD) - IEC TECHNICAL FEATURES

BNV XXX	30	110
Maximum continuous operating voltage (AC) - U _c (L-PE) [V]	30	130
Nominal voltage AC 50-60Hz - U _n (L1/L2-PE) [V]	24	110
Nominal discharge current (8/20)- I _n [kA]		0.3
Nominal discharge current (8/20) - I _n (L-PE) [kA]		5
Max Discharge Current (8/20) - I _{max} (L-PE) [kA]		5
Voltage protection level at I _n - U _p (L1/L2-PE) [V]	≤45	≤260

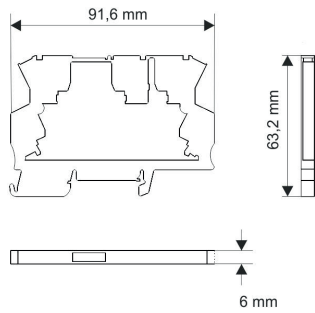
TECHNICAL FEATURES

BNV XXX	30	110
Bandwidth [MHz]		3
Max. communication voltage [V]		24

MECHANICAL AND ENVIRONMENTAL FEATURES

BNV XXX	30	110
Temperature range [°C]		-40 ... 85
Housing color		Beige
Enclosure - IP		IP20
Protected Wires		2 Wires
Input connector		Terminal
Output connector		Terminal
Solid conductor cross section		0.8...2.5 mm ²
Stranded conductor cross section		0.8...2.5 mm ²

DIMENSIONS AND WEIGHT



BNV XXX	30	110
Net Weight [kg]	0.034	
Gross weight [kg]	0.036	
Packaging dimensions (H x W x L) [mm]	91 × 70 × 6	

INTERNAL CONFIGURATION

