

# CPS Block 3 Phase Delta 480 V

Power Line SPDs  
NEMA - TVSS



## General Data

Network configuration	3 Phase Delta
IEC SPD Type	Class II
UL SPD Type	Type 2
Format	Monobloc
Protection Modes	Common & differential protection
Product standards	IEC 61643-11; UL 1449 4th edition



## PART NUMBERS

XXX	120	160	200
CPS block XXXkA 3 PhD 480 V	77798619	77798639	77798659

## SURGE PROTECTION DEVICE (SPD) - IEC TECHNICAL FEATURES

CPS block XXXkA 3 PhD 480 V	120	160	200
Nominal voltage AC 50-60 Hz - Un [V]		480	
Nominal voltage AC 50-60 Hz - Un(L-N) [V]		480	
Max Discharge Current (8/20) - I <sub>max</sub>	120kA/ph	160kA/ph	200kA/ph
Maximum back-up fuse [A [gG]]		80	
Response time - t <sub>A</sub> [ns]		≤1	

## SURGE PROTECTION DEVICE (SPD) - UL TECHNICAL FEATURES

CPS block XXXkA 3 PhD 480 V	120	160	200
Nominal discharge current (8/20) - I <sub>n</sub> [kA]		20	
Maximum continuous operating voltage - MCOV (L-N) [V]		510	
Voltage protection rating - VPR (L-L) [V]		1800	
Voltage protection rating - VPR (L-N) [V]		1800	
Voltage protection rating - VPR (L-G) [V]		1800	
Voltage protection rating - VPR (N-G) [V]		1800	
Short-Circuit Current Rating-SCCR [kA]		200	

## MECHANICAL AND ENVIRONMENTAL FEATURES

CPS block XXXkA 3 PhD 480 V	120	160	200
Temperature range [°C]		-40 ... 70	
Indication System Type		Protection status LED	
Enclosure - IP		IP55	
Stranded conductor cross section		2,5 mm <sup>2</sup>	
Stranded conductor AWG dimensions		#14	

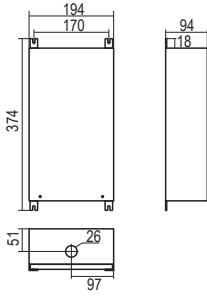
## DATASHEET

This document is subject to change at any time without notice [www.cirprotec.com](http://www.cirprotec.com) | Lepanto 49 · 08223 Terrassa, Barcelona Spain © 2024 Cirprotec SLU | All rights reserved

**cirprotec**

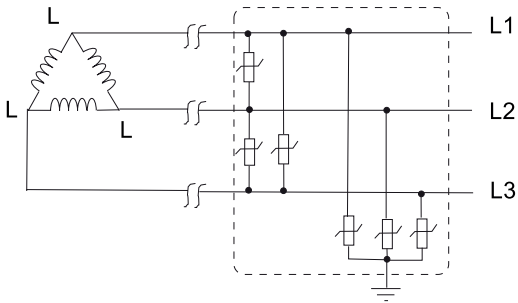
# CPS Block 3 Phase Delta 480 V

## DIMENSIONS AND WEIGHT



CPS block <b>XXX</b> kA 3 PhD 480 V	120	160	200
Net Weight [kg]		4.32	
Gross weight [kg]		4.526	
Packaging dimensions (H x W x L) [mm]		210 × 313 × 463	

## INTERNAL CONFIGURATION



## DATASHEET