

# CPS Block plus 3 Phase WYE 230 V

Power Line SPDs  
NEMA - TVSS



## General Data

Surge modules	7
Network configuration	3 Phase WYE
IEC SPD Type	Class II
UL SPD Type	Type 2
Format	Monobloc
Protection Modes	Common & differential protection
Product standards	IEC 61643-11; UL 1449 4th edition



## PART NUMBERS

XXX	120	160	200	240
CPS block plus XXXkA 3PhWYE230V	77798715	77798735	77798755	77798775

## SURGE PROTECTION DEVICE (SPD) - IEC TECHNICAL FEATURES

CPS block plus XXXkA 3PhWYE230V	120	160	200	240
Nominal voltage AC 50-60 Hz - Un [V]	230/400			
Nominal voltage AC 50-60 Hz - Un(L-L) [V]	400			
Nominal voltage AC 50-60 Hz - Un(L-N) [V]	230			
Max Discharge Current (8/20) - I <sub>max</sub>	120kA/ph	160kA/ph	200kA/ph	240kA/ph
Maximum back-up fuse [A [gG]]	80			
Response time - t <sub>A</sub> [ns]	≤1			
Dynamic thermal disconnection	Yes			

## SURGE PROTECTION DEVICE (SPD) - UL TECHNICAL FEATURES

CPS block plus XXXkA 3PhWYE230V	120	160	200	240
Nominal discharge current (8/20) - I <sub>n</sub> [kA]	20			
Maximum continuous operating voltage - MCOV (L-N) [V]	320			
Voltage protection rating - VPR (L-L) [V]	2000			
Voltage protection rating - VPR (L-N) [V]	1000			
Voltage protection rating - VPR (L-G) [V]	1000			
Voltage protection rating - VPR (N-G) [V]	1000			
Short-Circuit Current Rating-SCCR [kA]	200			
Multi-discharge system - MDS	Yes			

## TECHNICAL FEATURES

CPS block plus XXXkA 3PhWYE230V	120	160	200	240
Intelligent aging display led - IAD	100, 66, 33, 0 %			
Counter Range	0...9999			
EMI Filter	Yes			
EMI Filter Common Mode	≤40 dB			

## DATASHEET

This document is subject to change at any time without notice [www.cirprotec.com](http://www.cirprotec.com) | Lepanto 49 · 08223 Terrassa, Barcelona Spain © 2024 Cirprotec SLU | All rights reserved

**cirprotec**

# CPS Block plus 3 Phase WYE 230 V

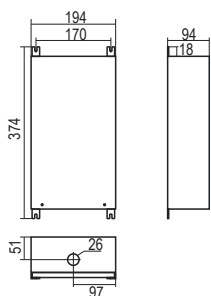
Continue CPS block plus **XXX**kA 3PhWYE230V

CPS block plus <b>XXX</b> kA 3PhWYE230V	<b>120</b>	<b>160</b>	<b>200</b>	<b>240</b>
EMI Filter Differential Mode	≤40 dB			

## MECHANICAL AND ENVIRONMENTAL FEATURES

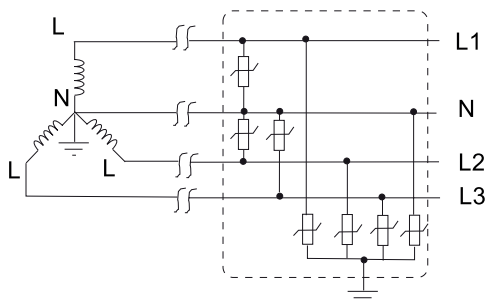
CPS block plus <b>XXX</b> kA 3PhWYE230V	<b>120</b>	<b>160</b>	<b>200</b>	<b>240</b>
Temperature range [°C]	-40 ... 70			
Indication System Type	Protection status LED			
Enclosure - IP	IP55			
Stranded conductor cross section	2,5 mm <sup>2</sup>			
Stranded conductor AWG dimensions	#14			

## DIMENSIONS AND WEIGHT



CPS block plus <b>XXX</b> kA 3PhWYE230V	<b>120</b>	<b>160</b>	<b>200</b>	<b>240</b>
Net Weight [kg]	4.32			
Gross weight [kg]	4.526			
Packaging dimensions (H x W x L) [mm]	210 × 313 × 463			

## INTERNAL CONFIGURATION



## DATASHEET

This document is subject to change at any time without notice [www.cirprotec.com](http://www.cirprotec.com) | Lepanto 49 · 08223 Terrassa, Barcelona Spain © 2024 Cirprotec SLU | All rights reserved

**cirprotec**