

# CPS nano 3 Phase Delta 240 V

Power Line SPDs  
NEMA - TVSS



## General Data

Surge modules	6
Network configuration	3 Phase Delta
IEC SPD Type	Class II
UL SPD Type	Type 2
Format	Hardwired
Protection Modes	Common & differential protection
Product standards	IEC 61643-11; UL 1449 4th edition



## PART NUMBERS

XXX	40	60	80	120
CPS nano 3Ph D 240V XXXKA	77797617	77797627	77797637	77797647

## SURGE PROTECTION DEVICE (SPD) - IEC TECHNICAL FEATURES

CPS nano 3Ph D 240V XXXKA	40	60	80	120
Nominal voltage AC 50-60 Hz - Un [V]	240			
Nominal voltage AC 50-60 Hz - Un(L-N) [V]	240			
Max Discharge Current (8/20) - I <sub>max</sub>	40kA/ph	60kA/ph	80kA/ph	120kA/ph
Maximum back-up fuse [A [gG]]	63			
Response time - t <sub>A</sub> [ns]	≤1			
Dynamic thermal disconnection	Yes			

## SURGE PROTECTION DEVICE (SPD) - UL TECHNICAL FEATURES

CPS nano 3Ph D 240V XXXKA	40	60	80	120
Nominal discharge current (8/20) - I <sub>n</sub> [kA]	10			
Maximum continuous operating voltage - MCOV (L-N) [V]	275			
Voltage protection rating - VPR (L-L) [V]	900			
Voltage protection rating - VPR (L-N) [V]	900			
Voltage protection rating - VPR (L-G) [V]	900			
Voltage protection rating - VPR (N-G) [V]	900			
Short-Circuit Current Rating-SCCR [kA]	100			
Multi-discharge system - MDS	Yes			

## MECHANICAL AND ENVIRONMENTAL FEATURES

CPS nano 3Ph D 240V XXXKA	40	60	80	120
Temperature range [°C]	-40 ... 70			
Indication System Type	Voltage LED, Protection status LED			
Insulating material	Polycarbonate			
Enclosure - IP	IP66			
Enclosure NEMA Type	4			

## DATASHEET

This document is subject to change at any time without notice [www.cirprotec.com](http://www.cirprotec.com) | Lepanto 49 · 08223 Terrassa, Barcelona Spain © 2024 Cirprotec SLU | All rights reserved

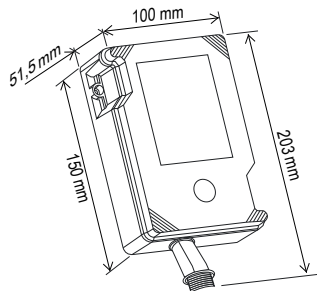
**cirprotec**

# CPS nano 3 Phase Delta 240 V

Continue CPS nano 3Ph D 240V XXXKA

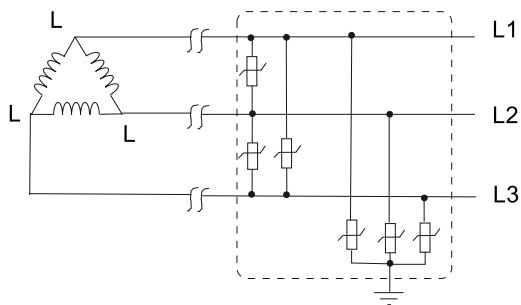
CPS nano 3Ph D 240V XXXKA	40	60	80	120
Flammability class			UL94 V-0	
Stranded conductor cross section			2,5 mm <sup>2</sup>	
Stranded conductor AWG dimensions			#14	

## DIMENSIONS AND WEIGHT



CPS nano 3Ph D 240V XXXKA	40	60	80	120
Net Weight [kg]			0.905	
Gross weight [kg]			0.983	
Packaging dimensions (H x W x L) [mm]			255 × 106 × 61	

## INTERNAL CONFIGURATION



## DATASHEET

This document is subject to change at any time without notice [www.cirprotec.com](http://www.cirprotec.com) | Lepanto 49 · 08223 Terrassa, Barcelona Spain © 2024 Cirprotec SLU | All rights reserved