

CS 40 3+1

Power Line SPDs
DIN RAIL - IEC TYPE 2



General Data

Internal configuration	3+1
No. Poles	4-Pole
No. DIN rail modules	4
Network configuration	TT, TNS
IEC SPD Type	Class II
EN SPD Type	Type 2
Format	Monobloc
Protection Modes	L-N / N-PE
Product standards	IEC 61643-11; EN 61643-11



PART NUMBERS

XXX	400
CS4-40/XXX	77705451
CS4-40/XXX IR (with Remote Indication)	77705452

SURGE PROTECTION DEVICE (SPD) - IEC TECHNICAL FEATURES

CS4-40/XXX, CS4-40/XXX IR (with Remote Indication)	400
Maximum continuous operating voltage (AC) - U_c (L-N) [V]	275
Maximum continuous operating voltage (AC) - U_c (N-PE) [V]	255
Nominal voltage AC 50-60 Hz - U_n [V]	230/400
Nominal voltage AC 50-60 Hz - U_n (L-L) [V]	400
Nominal voltage AC 50-60 Hz - U_n (L-N) [V]	230
Nominal discharge current (8/20) - I_n (L-N) [kA]	20
Max Discharge Current (8/20) - I_{max} (L-N) [kA]	40
Voltage protection level at I_n - U_p (L-N) [kV]	$\leq 1,3$
Voltage protection level at I_n - U_p (N-PE) [kV]	$\leq 1,5$
Maximum back-up fuse [A [gG]]	80
Short circuit withstand- I_{scrr} [kA]	25
Response time - t_A (L-N) [ns]	≤ 25
Response time - t_A (N-PE) [ns]	≤ 100

SURGE PROTECTION DEVICE (SPD) - UL TECHNICAL FEATURES

CS4-40/XXX, CS4-40/XXX IR (with Remote Indication)	400
Maximum continuous operating voltage - MCOV (L-N) [V]	275
Maximum continuous operating voltage - MCOV (L-G) [V]	275
Maximum continuous operating voltage - MCOV (N-G) [V]	277

MECHANICAL AND ENVIRONMENTAL FEATURES

CS4-40/XXX, CS4-40/XXX IR (with Remote Indication)	400
Temperature range [°C]	-40 ... 85
Humidity range [%]	5 ... 95

DATASHEET

This document is subject to change at any time without notice www.cirprotec.com | Lepanto 49 · 08223 Terrassa, Barcelona Spain © 2024 Cirprotec SLU | All rights reserved

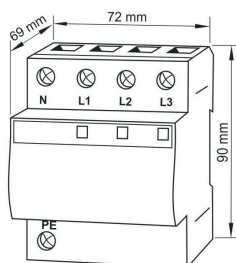
cirprotec

CS 40 3+1

Continue CS4-40/XXX, CS4-40/XXX IR (with Remote Indication)

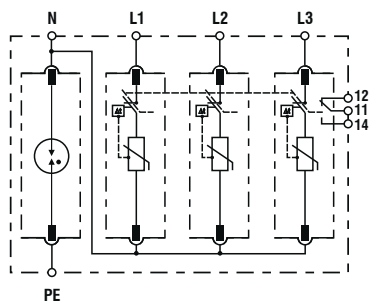
CS4-40/XXX, CS4-40/XXX IR (with Remote Indication)	400
Indication System Type	LED
Insulating material	PC+GF
Housing color	Grey RAL 7035
Enclosure - IP	IP20
Flammability class	UL94 V-0
Solid conductor cross section	6...35 mm ²
Stranded conductor cross section	6...25 mm ²
Torque rating [N m]	4

DIMENSIONS AND WEIGHT



CS4-40/XXX CS4-40/XXX IR (with Remote Indication)	400
Net Weight [kg]	0.273
Gross weight [kg]	0.318
Packaging dimensions (H x W x L) [mm]	117 × 78 × 90

INTERNAL CONFIGURATION



DATASHEET

This document is subject to change at any time without notice www.cirprotec.com | Lepanto 49 · 08223 Terrassa, Barcelona Spain © 2024 Cirprotec SLU | All rights reserved