

DB9-PFB/2HS

Signal Line SPDs
Measurement and Control



General Data

Format	Sub-D
Product standards	IEC 61643-21



PART NUMBERS

DB9-PFB/2HS	77820153
-------------	----------

SURGE PROTECTION DEVICE (SPD) - IEC TECHNICAL FEATURES

Maximum continuous operating voltage (AC) - U_c [V]	6
Maximum continuous operating voltage (AC) - U_c (L-PE) [V]	6
Nominal voltage AC 50-60Hz - U_n (L1/L2-PE) [V]	5
Nominal discharge current (8/20) - I_n (L-PE) [kA]	2
Max Discharge Current (8/20) - I_{max} (L-PE) [kA]	5
Voltage protection level at I_n - U_p (L-PE) [V]	≤ 20
Voltage protection level at I_n - U_p (L1/L2-GND) [V]	≤ 50

TECHNICAL FEATURES

Network communication standards	Communication signals
Bandwidth [MHz]	12
Max. communication voltage [V]	24

MECHANICAL AND ENVIRONMENTAL FEATURES

Housing color	Grey RAL 7035
Enclosure - IP	IP20
Protected Wires	2 Wires + GND
Input connector	Sub-D
Output connector	Sub-D

DATASHEET

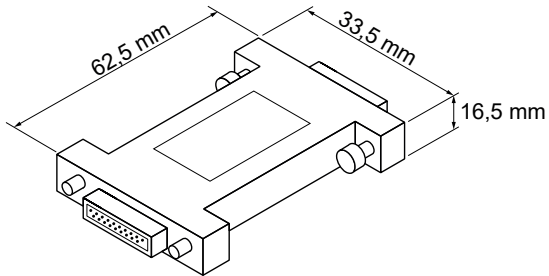
This document is subject to change at any time without notice www.cirprotec.com | Lepanto 49 · 08223 Terrassa, Barcelona Spain © 2024 Cirprotec SLU | All rights reserved

cirprotec

DB9-PFB/2HS

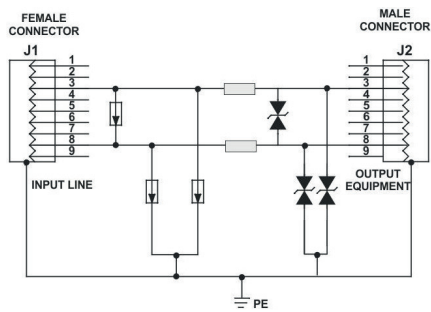
Signal Line SPDs
Measurement and Control

DIMENSIONS AND WEIGHT



Net Weight [kg]	0.027
Gross weight [kg]	0.041
Packaging dimensions (H x W x L) [mm]	75 x 60 x 30

INTERNAL CONFIGURATION



DATASHEET

This document is subject to change at any time without notice www.cirprotec.com | Lepanto 49 · 08223 Terrassa, Barcelona Spain © 2024 Cirprotec SLU | All rights reserved