

# EGARA 1 LF 4+0

Power Line SPDs

DIN RAIL - IEC TYPE 1+2



## General Data

Internal configuration	4+0
No. Poles	4-Pole
No. DIN rail modules	4
Network configuration	TNS
IEC SPD Type	Class I+II
EN SPD Type	Type 1+2
UL SPD Type	Type 4 Component Assembly
Format	Pluggable
Protection Modes	L-PE / N-PE
Leakage current free - LCF	Yes
Product standards	IEC/EN 61643-11; UL 1449 5th Edition



## PART NUMBERS

<b>XXX</b>	<b>320</b>
EGA 1 <b>XXX</b> /4+0 LF	33738414
EGA 1 <b>XXX</b> /4+0 LF IR (with Remote Indication)	33738415

## SURGE PROTECTION DEVICE (SPD) - IEC TECHNICAL FEATURES

EGA 1 <b>XXX</b> /4+0 LF, EGA 1 <b>XXX</b> /4+0 LF IR (with Remote Indication)	<b>320</b>
Maximum continuous operating voltage (AC) - U <sub>c</sub> [V]	320
Nominal voltage AC 50-60 Hz - U <sub>n</sub> [V]	230/400
Nominal discharge current (8/20)- I <sub>n</sub> [kA]	20
Max Discharge Current (8/20) - I <sub>max</sub> [kA]	50
Lightning impulse current (10/350) - I <sub>imp</sub> [kA]	12.5
Voltage protection level at I <sub>n</sub> - U <sub>p</sub> [kV]	≤1,5
Maximum back-up fuse [A [gG]]	315
Short circuit withstand- I <sub>sc</sub> [kA]	25
Following current - I <sub>fi</sub> [A]	100
Residual current- I <sub>pe</sub> [μA]	<10
Response time - t <sub>A</sub> [ns]	≤25
Specific energy by pole (10/350 μs) - W/R (L-N) [kJ/ohm]	39
Specific energy by pole (10/350 μs) - W/R (N-PE) [kJ/ohm]	39
TOV 5s (LV systems, withstand) - U <sub>t</sub> [V]	403
TOV 120min (LV systems, fail safe)- U <sub>t</sub> [V]	528
Dynamic thermal disconnection	Yes
Thermal protection behaviour	OCM (Open Circuit Mode)
No. of ports	1

## SURGE PROTECTION DEVICE (SPD) - UL TECHNICAL FEATURES

EGA 1 <b>XXX</b> /4+0 LF, EGA 1 <b>XXX</b> /4+0 LF IR (with Remote Indication)	<b>320</b>
Nominal discharge current (8/20) - I <sub>n</sub> [kA]	20
Maximum continuous operating voltage - MCOV (L-L) [V]	640
Maximum continuous operating voltage - MCOV (L-N) [V]	640

## DATASHEET

This document is subject to change at any time without notice [www.cirprotec.com](http://www.cirprotec.com) | Lepanto 49 · 08223 Terrassa, Barcelona Spain © 2024 Cirprotec SLU | All rights reserved

**cirprotec**

# EGARA 1 LF 4+0

Power Line SPDs

DIN RAIL - IEC TYPE 1+2

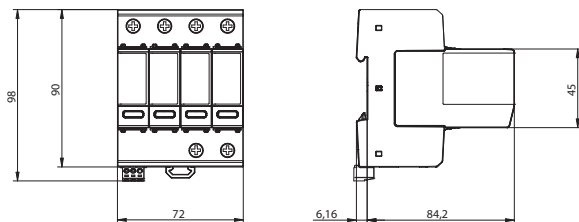
Continue EGA 1 **XXX**/4+0 LF, EGA 1 **XXX**/4+0 LF IR (with Remote Indication)

EGA 1 <b>XXX</b> /4+0 LF, EGA 1 <b>XXX</b> /4+0 LF IR (with Remote Indication)	<b>320</b>
Maximum continuous operating voltage - MCOV (L-G) [V]	320
Maximum continuous operating voltage - MCOV (N-G) [V]	320
Measured limiting voltage - MLV (L-L) [V]	2840
Measured limiting voltage - MLV (L-N) [V]	2840
Measured limiting voltage - MLV (N-G) [V]	1420
Measured limiting voltage - MLV (L-G) [V]	1420

## MECHANICAL AND ENVIRONMENTAL FEATURES

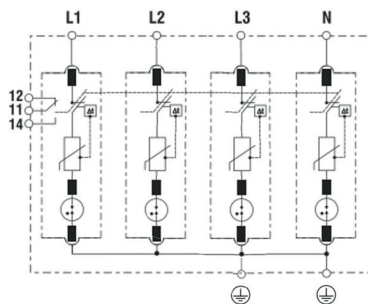
EGA 1 <b>XXX</b> /4+0 LF, EGA 1 <b>XXX</b> /4+0 LF IR (with Remote Indication)	<b>320</b>
Temperature range [°C]	-40 ... 85
Humidity range [%]	5 ... 95
Max. Altitude [m]	4000
Indication System Type	Green (OK) / Not green (replace)
Insulating material	PA6 CT1 & PA66 CT1
Housing color	Grey RAL 7035
Enclosure - IP	IP20
Flammability class	UL94 V-0
Solid conductor cross section	1,5...35mm <sup>2</sup>
Stranded conductor cross section	1,5...25mm <sup>2</sup>
Torque rating [N m]	3
Remote indication conductor cross section [mm <sup>2</sup> ]	0.5 ... 1.5
Remote indication switching capacity [V/A]	AC: 250/0.5 DC: 30/1

## DIMENSIONS AND WEIGHT



EGA 1 <b>XXX</b> /4+0 LF EGA 1 <b>XXX</b> /4+0 LF IR (with Remote Indication)	<b>320</b>
Net Weight [kg]	0.66
Gross weight [kg]	0.691
Packaging dimensions (H x W x L) [mm]	97 × 78 × 118

## INTERNAL CONFIGURATION



## REPLACEMENT CARTRIDGES

EGA 1 <b>XXX</b> /4+0 LF EGA 1 <b>XXX</b> /4+0 LF IR (with Remote Indication)	<b>320</b>
EGARA 1 <b>XXX</b> LF (Line)	33738004

## DATASHEET

This document is subject to change at any time without notice [www.cirprotec.com](http://www.cirprotec.com) | Lepanto 49 · 08223 Terrassa, Barcelona Spain © 2024 Cirprotec SLU | All rights reserved

**cirprotec**