

EGARA 2 1+0

Power Line SPDs
DIN RAIL - IEC TYPE 2



General Data

Internal configuration	1+0
No. Poles	1-Pole
No. DIN rail modules	1
Network configuration	TNS, TNC, TT (only L-N)
IEC SPD Type	Class II
EN SPD Type	Type 2
UL SPD Type	Type 1 Component Assembly
Format	Pluggable
Product standards	IEC/EN 61643-11; UL 1449 5th Edition



PART NUMBERS

XXX	275	320	440
EGA 2 XXX/1+0	33707102	33707106	33707110
EGA 2 XXX/1+0 IR (with Remote Indication)	33707103	33707107	33707111

SURGE PROTECTION DEVICE (SPD) - IEC TECHNICAL FEATURES

EGA 2 XXX/1+0, EGA 2 XXX/1+0 IR (with Remote Indication)	275	320	440
Maximum continuous operating voltage (AC) - Uc [V]	275	320	440
Nominal voltage AC 50-60 Hz - Un [V]	230	277	400
Nominal discharge current (8/20)- In [kA]		20	
Max Discharge Current (8/20) - Imax [kA]		50	
Voltage protection level at In - Up [kV]		≤1,5	≤2
Maximum back-up fuse [A [gG]]		315	
Short circuit withstand- Isccr [kA]		25	
Residual current- Ipe [mA]		<1	
Response time - tA [ns]		≤25	
TOV 5s (LV systems, withstand) - Ut [V]	337	403	581
TOV 120min (LV systems, fail safe)- Ut [V]	442.5	528	763
Dynamic thermal disconnection		Yes	
Thermal protection behaviour		OCM (Open Circuit Mode)	
No. of ports		1	

SURGE PROTECTION DEVICE (SPD) - UL TECHNICAL FEATURES

EGA 2 XXX/1+0, EGA 2 XXX/1+0 IR (with Remote Indication)	275	320	440
Nominal discharge current (8/20) - In [kA]		20	
Maximum continuous operating voltage - MCOV (L-N) [V]	275	320	440
Maximum continuous operating voltage - MCOV (L-G) [V]	275	320	440
Voltage protection rating - VPR (L-N) [V]	1000	1200	1500
Voltage protection rating - VPR (L-G) [V]	1000	1200	1500
Short-Circuit Current Rating-SCCR [kA]	85	100	42

DATASHEET

This document is subject to change at any time without notice www.cirprotec.com | Lepanto 49 · 08223 Terrassa, Barcelona Spain © 2024 Cirprotec SLU | All rights reserved

cirprotec

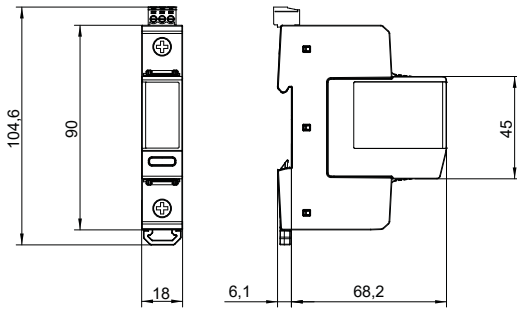
EGARA 2 1+0

Power Line SPDs
DIN RAIL - IEC TYPE 2

MECHANICAL AND ENVIRONMENTAL FEATURES

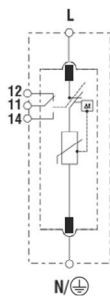
EGA 2 XXX /1+0, EGA 2 XXX /1+0 IR (with Remote Indication)	275	320	440
Temperature range [°C]		-40 ... 85	
Humidity range [%]		5 ... 95	
Max. Altitude [m]		4000	
Indication System Type		Green (OK) / Not green (replace)	
Insulating material		PA6 CT1 & PA66 CT1	
Housing color		Grey RAL 7035	
Enclosure - IP		IP20	
Flammability class		UL94 V-0	
Solid conductor cross section		1,5...35mm ²	
Stranded conductor cross section		1,5...25mm ²	
Torque rating [N m]		3	
Remote indication conductor cross section [mm ²]		0.5 ... 1.5	
Remote indication switching capacity [V/A]		AC: 250/0.5 DC: 30/1	

DIMENSIONS AND WEIGHT



EGA 2 XXX /1+0 EGA 2 XXX /1+0 IR (with Remote Indication)	275	320	440
Net Weight [kg]		0.12	0.101
Gross weight [kg]	0.129	0.133	0.11
Packaging dimensions (H x W x L) [mm]	97 × 22 × 118		

INTERNAL CONFIGURATION



REPLACEMENT CARTRIDGES

EGA 2 XXX /1+0 EGA 2 XXX /1+0 IR (with Remote Indication)	275	320	440
EGARA 2 XXX (Line)	33707001	33707003	33707005

DATASHEET

This document is subject to change at any time without notice www.cirprotec.com | Lepanto 49 · 08223 Terrassa, Barcelona Spain © 2024 Cirprotec SLU | All rights reserved

cirprotec