

# EGARA 2 1+1

Power Line SPDs  
DIN RAIL - IEC TYPE 2



## General Data

Internal configuration	1+1
No. Poles	2-Pole
No. DIN rail modules	2
Network configuration	TT, TNS
IEC SPD Type	Class II
EN SPD Type	Type 2
UL SPD Type	Type 1 Component Assembly
Format	Pluggable
Protection Modes	L-N / N-PE
Product standards	IEC/EN 61643-11; UL 1449 5th Edition



## PART NUMBERS

XXX	275	320	440
EGA 2 XXX/1+1	33707200	33707208	33707216
EGA 2 XXX/1+1 IR (with Remote Indication)	33707201	33707209	33707217

## SURGE PROTECTION DEVICE (SPD) - IEC TECHNICAL FEATURES

EGA 2 XXX/1+1, EGA 2 XXX/1+1 IR (with Remote Indication)	275	320	440
Maximum continuous operating voltage (AC) - Uc (L-N) [V]	275	320	440
Maximum continuous operating voltage (AC) - Uc (N-PE) [V]		255	440
Nominal voltage AC 50-60 Hz - Un [V]	230	277	400
Nominal discharge current (8/20)- In [kA]		20	
Max Discharge Current (8/20) - I <sub>max</sub> (L-N) [kA]		50	
Max Discharge Current (8/20) - I <sub>max</sub> (N-PE) [kA]		50	
Voltage protection level at In - Up (L-N) [kV]		≤1,5	≤2
Voltage protection level at In - Up (L-PE) [kV]		≤1,8	≤2,5
Voltage protection level at In - Up (N-PE) [kV]		≤1,5	≤2
Maximum back-up fuse [A [gG]]		315	
Short circuit withstand- I <sub>scrr</sub> [kA]		25	
Following current - I <sub>fi</sub> [A]		100	
Residual current- I <sub>pe</sub> [μA]		<10	
Response time - t <sub>A</sub> (L-N) [ns]		≤25	
Response time - t <sub>A</sub> (N-PE) [ns]		≤100	
TOV 5s (LV systems, withstand)- Ut(L-N) [V]	337	403	581
TOV 120min (LV systems, fail safe)- Ut(L-N) [V]	442.5	528	763
TOV 200 ms (HV Systems, withstand) - Ut (N-PE) [V]		1200	
Dynamic thermal disconnection		Yes	
Thermal protection behaviour		OCM (Open Circuit Mode)	
No. of ports		1	

## DATASHEET

This document is subject to change at any time without notice [www.cirprotec.com](http://www.cirprotec.com) | Lepanto 49 · 08223 Terrassa, Barcelona Spain © 2024 Cirprotec SLU | All rights reserved

**cirprotec**

# EGARA 2 1+1

Power Line SPDs  
DIN RAIL - IEC TYPE 2

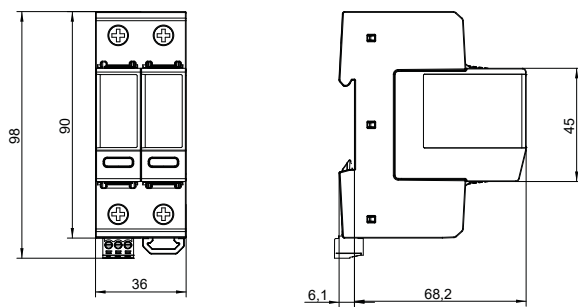
## SURGE PROTECTION DEVICE (SPD) - UL TECHNICAL FEATURES

EGA 2 <b>XXX</b> /1+1, EGA 2 <b>XXX</b> /1+1 IR (with Remote Indication)	275	320	440
Nominal discharge current (8/20) - In [kA]		20	
Maximum continuous operating voltage - MCOV (L-N) [V]	275	320	440
Maximum continuous operating voltage - MCOV (L-G) [V]	275	320	440
Maximum continuous operating voltage - MCOV (N-G) [V]		305	440
Voltage protection rating - VPR (L-N) [V]	1000	1200	1500
Voltage protection rating - VPR (L-G) [V]		1500	2000
Voltage protection rating - VPR (N-G) [V]		900	1000
Short-Circuit Current Rating-SCCR [kA]	85	100	42

## MECHANICAL AND ENVIRONMENTAL FEATURES

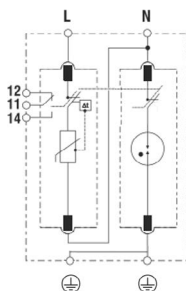
EGA 2 <b>XXX</b> /1+1, EGA 2 <b>XXX</b> /1+1 IR (with Remote Indication)	275	320	440
Temperature range [°C]		-40 ... 85	
Humidity range [%]		5 ... 95	
Max. Altitude [m]		4000	
Indication System Type		Green (OK) / Not green (replace)	
Insulating material		PA6 CT1 & PA66 CT1	
Housing color		Grey RAL 7035	
Enclosure - IP		IP20	
Flammability class		UL94 V-0	
Solid conductor cross section		1,5...35mm <sup>2</sup>	
Stranded conductor cross section		1,5...25mm <sup>2</sup>	
Torque rating [N m]		3	
Remote indication conductor cross section [mm <sup>2</sup> ]		0.5 ... 1.5	
Remote indication switching capacity [V/A]		AC: 250/0.5 DC: 30/1	

## DIMENSIONS AND WEIGHT



EGA 2 <b>XXX</b> /1+1 EGA 2 <b>XXX</b> /1+1 IR (with Remote Indication)	275	320	440
Net Weight [kg]	0.161	0.232	0.223
Gross weight [kg]	0.174	0.256	0.252
Packaging dimensions (H x W x L) [mm]	97 × 38 × 118		

## INTERNAL CONFIGURATION



## REPLACEMENT CARTRIDGES

EGA 2 <b>XXX</b> /1+1 EGA 2 <b>XXX</b> /1+1 IR (with Remote Indication)	275	320	440
EGARA 2 <b>XXX</b> (Line)	33707001	33707003	33707005
EGARA2N(Neutral)	33707000		33707013

## DATASHEET

This document is subject to change at any time without notice [www.cirprotec.com](http://www.cirprotec.com) | Lepanto 49 · 08223 Terrassa, Barcelona Spain © 2024 Cirprotec SLU | All rights reserved

**cirprotec**