

PSC 12,5 3+1

Power Line SPDs

DIN RAIL - IEC TYPE 1+2



General Data

Internal configuration	3+1
No. Poles	4-Pole
No. DIN rail modules	4
Network configuration	TT, TNS
IEC SPD Type	Class I+II
EN SPD Type	Type 1+2
Format	Pluggable
Protection Modes	L-N / N-PE
Product standards	IEC 61643-11; EN 61643-11



PART NUMBERS

XXX	230	400	480
PSC4-12,5/XXX TT	77738400	77738405	77738407
PSC4-12,5/XXX TT IR (with Remote Indication)	77738401	77738406	77738408

SURGE PROTECTION DEVICE (SPD) - IEC TECHNICAL FEATURES

PSC4-12,5/XXX TT, PSC4-12,5/XXX TT IR (with Remote Indication)	230	400	480
Maximum continuous operating voltage (AC) - Uc (L-N) [V]	150	275	320
Maximum continuous operating voltage (AC) - Uc (N-PE) [V]		255	
Nominal voltage AC 50-60 Hz - Un [V]	120/208	230/400	277/480
Nominal voltage AC 50-60 Hz - Un(L-L) [V]	230	400	480
Nominal voltage AC 50-60 Hz - Un(L-N) [V]	120	230	277
Nominal discharge current (8/20) - In (L-N) [kA]		20	
Nominal discharge current (8/20) - In (N-PE) [kA]		50	
Max Discharge Current (8/20) - I _{max} (L-N) [kA]		65	
Max Discharge Current (8/20) - I _{max} (N-PE) [kA]		65	
Lightning impulse current (10/350) - I _{imp} (L-N) [kA]		12.5	
Lightning impulse current (10/350) - I _{imp} (N-PE) [kA]		50	
Voltage protection level at In - Up (L-N) [kV]	≤1	≤1,3	≤1,4
Voltage protection level at In - Up (N-PE) [kV]		≤1,5	
Maximum back-up fuse [A [gG]]		200	
Short circuit withstand- I _{scCR} [kA]		25	
Following current - I _{fi} [A]		100	
Response time - t _A (L-N) [ns]		≤25	
Response time - t _A (N-PE) [ns]		≤100	
Dynamic thermal disconnection		Yes	
Thermal protection behaviour		OCM (Open Circuit Mode)	

DATASHEET

This document is subject to change at any time without notice www.cirprotec.com | Lepanto 49 · 08223 Terrassa, Barcelona Spain © 2024 Cirprotec SLU | All rights reserved

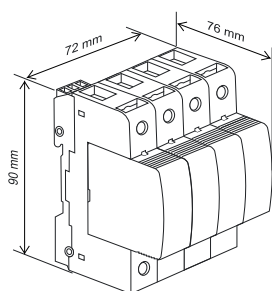
cirprotec

PSC 12,5 3+1

MECHANICAL AND ENVIRONMENTAL FEATURES

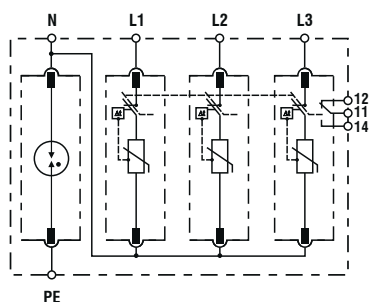
PSC4-12,5/XXX TT, PSC4-12,5/XXX TT IR (with Remote Indication)	230	400	480
Temperature range [°C]		-40 ... 85	
Humidity range [%]		5 ... 95	
Indication System Type		Green (OK) / Not green (replace)	
Insulating material		PA66 CT1	
Enclosure - IP		IP20	
Flammability class		UL94 V-0	
Solid conductor cross section		6...35 mm ²	
Stranded conductor cross section		6...25 mm ²	
Torque rating [N m]		3	
Remote indication conductor cross section [mm ²]		0.08 ... 1.5	
Remote indication switching capacity [V/A]		AC: 125/0.2 DC: 250/1	
Remote Indication Torque [N m]		0.2	

DIMENSIONS AND WEIGHT



PSC4-12,5/XXX TT PSC4-12,5/XXX TT IR (with Remote Indication)	230	400	480
Net Weight [kg]	0.63	0.618	0.67
Gross weight [kg]	0.731	0.661	0.7664
Packaging dimensions (H x W x L) [mm]	117 × 78 × 90		

INTERNAL CONFIGURATION



REPLACEMENT CARTRIDGES

PSC4-12,5/XXX TT PSC4-12,5/XXX TT IR (with Remote Indication)	230	400	480
PSC-12,5/XXX (Line)	77738600	77738601	77738603
PSC-50N (Neutral)	77738614		