

PSC 25 1+1

Power Line SPDs

DIN RAIL - IEC TYPE 1+2



General Data

Internal configuration	1+1
No. Poles	2-Pole
No. DIN rail modules	4
Network configuration	TT, TNS
IEC SPD Type	Class I+II
EN SPD Type	Type 1+2
Format	Pluggable
Protection Modes	L-N / N-PE
Product standards	IEC 61643-11; EN 61643-11



PART NUMBERS

XXX	230
PSC2-25/ XXX TT	77738225
PSC2-25/ XXX TT IR (with Remote Indication)	77738226

SURGE PROTECTION DEVICE (SPD) - IEC TECHNICAL FEATURES

PSC2-25/ XXX TT, PSC2-25/ XXX TT IR (with Remote Indication)	230
Maximum continuous operating voltage (AC) - Uc (L-N) [V]	275
Maximum continuous operating voltage (AC) - Uc (N-PE) [V]	255
Nominal voltage AC 50-60 Hz - Un [V]	230
Nominal voltage AC 50-60 Hz - Un(L-N) [V]	230
Nominal discharge current (8/20) - In (L-N) [kA]	25
Nominal discharge current (8/20) - In (N-PE) [kA]	50
Max Discharge Current (8/20) - Imax (L-N) [kA]	100
Max Discharge Current (8/20) - Imax (N-PE) [kA]	100
Lightning impulse current (10/350) - Iimp (L-N) [kA]	25
Lightning impulse current (10/350) - Iimp (N-PE) [kA]	50
Voltage protection level at In - Up (L-N) [kV]	≤1,5
Voltage protection level at In - Up (N-PE) [kV]	≤1,5
Short circuit withstand- Isccr [kA]	25
Following current - Ifi [A]	100
Response time - tA (L-N) [ns]	≤25
Response time - tA (N-PE) [ns]	≤100
Dynamic thermal disconnection	Yes
Thermal protection behaviour	OCM (Open Circuit Mode)

MECHANICAL AND ENVIRONMENTAL FEATURES

PSC2-25/ XXX TT, PSC2-25/ XXX TT IR (with Remote Indication)	230
Temperature range [°C]	-40 ... 85
Humidity range [%]	5 ... 95
Indication System Type	Green (OK) / Not green (replace)

DATASHEET

This document is subject to change at any time without notice www.cirprotec.com | Lepanto 49 · 08223 Terrassa, Barcelona Spain © 2024 Cirprotec SLU | All rights reserved

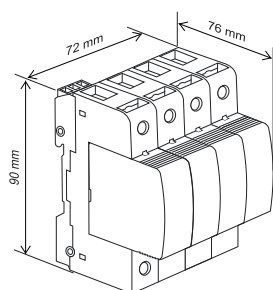
cirprotec

PSC 25 1+1

Continue PSC2-25/XXX TT, PSC2-25/XXX TT IR (with Remote Indication)

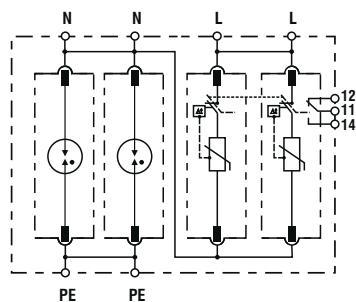
PSC2-25/XXX TT, PSC2-25/XXX TT IR (with Remote Indication)	230
Insulating material	PA66 CT1
Enclosure - IP	IP20
Flammability class	UL94 V-0
Solid conductor cross section	6...35 mm ²
Stranded conductor cross section	6...25 mm ²
Torque rating [N m]	3
Remote indication conductor cross section [mm ²]	0.08 ... 1.5
Remote indication switching capacity [V/A]	AC: 125/0.2 DC: 250/1
Remote Indication Torque [N m]	0.2

DIMENSIONS AND WEIGHT



PSC2-25/XXX TT PSC2-25/XXX TT IR (with Remote Indication)	230
Net Weight [kg]	0.625
Gross weight [kg]	0.668
Packaging dimensions (H x W x L) [mm]	117 × 78 × 90

INTERNAL CONFIGURATION



REPLACEMENT CARTRIDGES

PSC2-25/XXX TT PSC2-25/XXX TT IR (with Remote Indication)	230
PSC-25/XXX (Line)	77738611
PSC-100N (Neutral)	77738619

DATASHEET

This document is subject to change at any time without notice www.cirprotec.com | Lepanto 49 · 08223 Terrassa, Barcelona Spain © 2024 Cirprotec SLU | All rights reserved