

PSC AC 3+0 Reinforced

Photovoltaic & Energy Storage SPDs
DIN RAIL - IEC AC Reinforced



General Data

Internal configuration	3+0 R
No. Poles	4-Pole
No. DIN rail modules	4
Network configuration	TNC
IEC SPD Type	Class I+II
EN SPD Type	Type 1+2
Format	Pluggable
Protection Modes	L-PE(N)
Product standards	IEC 61643-11; EN 61643-11



PART NUMBERS

XXX	680
PSC3-5/ XXXR	77738674
PSC3-5/ XXXR IR (with Remote Indication)	77738675

SURGE PROTECTION DEVICE (SPD) - IEC TECHNICAL FEATURES

PSC3-5/ XXXR , PSC3-5/ XXXR IR (with Remote Indication)	680
Maximum continuous operating voltage (AC) - Uc [V]	1360
Nominal voltage AC 50-60 Hz - Un [V]	480/830
Nominal discharge current (8/20)- In [kA]	20
Max Discharge Current (8/20) - Imax [kA]	40
Maximum peak voltage withstand (DC) (L-PE) - Upeak (L-PE) [V]	1700
Lightning impulse current (10/350) - Iimp [kA]	5
Voltage protection level at In - Up [kV]	≤5
Maximum back-up fuse [A [gG]]	125
Short circuit withstand- Isccr [kA]	25
Response time - tA [ns]	≤25
Dynamic thermal disconnection	Yes
Thermal protection behaviour	OCM (Open Circuit Mode)

MECHANICAL AND ENVIRONMENTAL FEATURES

PSC3-5/ XXXR , PSC3-5/ XXXR IR (with Remote Indication)	680
Temperature range [°C]	-40 ... 85
Humidity range [%]	5 ... 95
Indication System Type	Green (OK) / Not green (replace)
Insulating material	PA66 CT1
Enclosure - IP	IP20
Flammability class	UL94 V-0
Solid conductor cross section	6...35 mm ²
Stranded conductor cross section	6...25 mm ²
Torque rating [N m]	3

DATASHEET

This document is subject to change at any time without notice www.cirprotec.com | Lepanto 49 · 08223 Terrassa, Barcelona Spain © 2024 Cirprotec SLU | All rights reserved

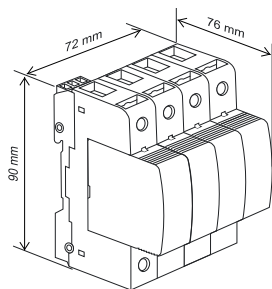
cirprotec

PSC AC 3+0 Reinforced

Continue PSC3-5/XXXXR, PSC3-5/XXXXR IR (with Remote Indication)

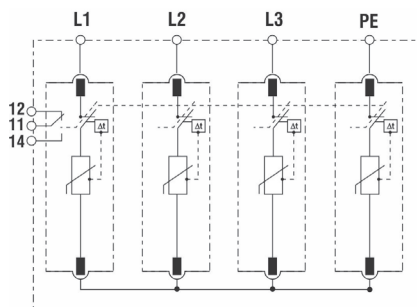
PSC3-5/XXXXR, PSC3-5/XXXXR IR (with Remote Indication)	680
Remote indication conductor cross section [mm ²]	0.08 ... 1.5
Remote indication switching capacity [V/A]	AC: 125/3 DC: 250/1
Remote Indication Torque [N m]	0.2

DIMENSIONS AND WEIGHT



PSC3-5/XXXXR PSC3-5/XXXXR IR (with Remote Indication)	680
Net Weight [kg]	0.642
Gross weight [kg]	0.701
Packaging dimensions (H x W x L) [mm]	120 × 75 × 105

INTERNAL CONFIGURATION



REPLACEMENT CARTRIDGES

PSC3-5/XXXXR PSC3-5/XXXXR IR (with Remote Indication)	680
PSC-5/XXX (Line)	77738676

DATASHEET

This document is subject to change at any time without notice www.cirprotec.com | Lepanto 49 · 08223 Terrassa, Barcelona Spain © 2024 Cirprotec SLU | All rights reserved