

# PSM 20 3+1

Power Line SPDs  
DIN RAIL - IEC TYPE 2+3



## General Data

Internal configuration	3+1
No. Poles	4-Pole
No. DIN rail modules	4
Network configuration	TT, TNS
IEC SPD Type	Class II + III
EN SPD Type	Type 2+3
Format	Pluggable
Protection Modes	L-N / N-PE
Product standards	IEC 61643-11; EN 61643-11



## PART NUMBERS

XXX	230	400	480
PSM4-20/XXX TT	77707800	77707802	77707808
PSM4-20/XXX TT IR (with Remote Indication)	77707801	77707803	77707809

## SURGE PROTECTION DEVICE (SPD) - IEC TECHNICAL FEATURES

PSM4-20/XXX TT, PSM4-20/XXX TT IR (with Remote Indication)	230	400	480
Maximum continuous operating voltage (AC) - Uc (L-N) [V]	150	320	
Maximum continuous operating voltage (AC) - Uc (N-PE) [V]	255		
Nominal voltage AC 50-60 Hz - Un [V]	120/208	230/400	277/480
Nominal voltage AC 50-60 Hz - Un(L-L) [V]	208	400	480
Nominal voltage AC 50-60 Hz - Un(L-N) [V]	120	230	277
Nominal discharge current (8/20) - In (L-N) [kA]	10		
Max Discharge Current (8/20) - Imax (L-N) [kA]	20		
Voltage protection level at In - Up (L-N) [kV]	≤0,8	≤1,4	
Voltage protection level at In - Up (N-PE) [kV]	≤1,5		
Combined Discharge Voltage (1,2/50) (Uoc) [kV]	10		
Maximum back-up fuse [A [gG]]	80		
Following current - Ifi [A]	100		
Response time - tA (L-N) [ns]	≤25		
Response time - tA (N-PE) [ns]	≤100		
Dynamic thermal disconnection	Yes		
Thermal protection behaviour	OCM (Open Circuit Mode)		

## MECHANICAL AND ENVIRONMENTAL FEATURES

PSM4-20/XXX TT, PSM4-20/XXX TT IR (with Remote Indication)	230	400	480
Temperature range [°C]	-40 ... 85		
Humidity range [%]	5 ... 95		
Indication System Type	Green (OK) / Not green (replace)		
Insulating material	PA66 CT1		
Enclosure - IP	IP20		

## DATASHEET

This document is subject to change at any time without notice [www.cirprotec.com](http://www.cirprotec.com) | Lepanto 49 · 08223 Terrassa, Barcelona Spain © 2024 Cirprotec SLU | All rights reserved

**cirprotec**

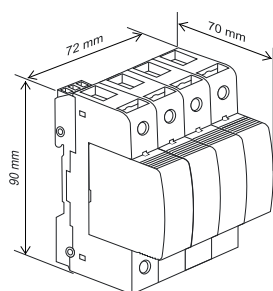
# PSM 20 3+1

Power Line SPDs  
DIN RAIL - IEC TYPE 2+3

Continue PSM4-20/XXX TT, PSM4-20/XXX TT IR (with Remote Indication)

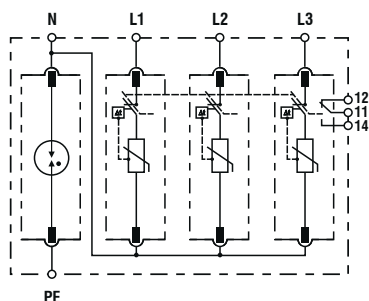
PSM4-20/XXX TT, PSM4-20/XXX TT IR (with Remote Indication)	230	400	480
Flammability class		UL94 V-0	
Solid conductor cross section		6...35 mm <sup>2</sup>	
Stranded conductor cross section		6...25 mm <sup>2</sup>	
Torque rating [N m]		3	
Remote indication conductor cross section [mm <sup>2</sup> ]		0.08 ... 1.5	
Remote indication switching capacity [V/A]		AC: 125/0.2 DC: 250/1	
Remote Indication Torque [N m]		0.2	

## DIMENSIONS AND WEIGHT



PSM4-20/XXX TT PSM4-20/XXX TT IR (with Remote Indication)	230	400	480
Net Weight [kg]	0.345	0.352	0.345
Gross weight [kg]	0.388	0.395	0.38
Packaging dimensions (H x W x L) [mm]	117 × 78 × 90		

## INTERNAL CONFIGURATION



## REPLACEMENT CARTRIDGES

PSM4-20/XXX TT PSM4-20/XXX TT IR (with Remote Indication)	230	400	480
PSM-20/XXX (Line)	77707651	77707652	77707669
PSM-20N(Neutral)	77707663		

## DATASHEET

This document is subject to change at any time without notice [www.cirprotec.com](http://www.cirprotec.com) | Lepanto 49 · 08223 Terrassa, Barcelona Spain © 2024 Cirprotec SLU | All rights reserved

**cirprotec**