

PSM 20 PLC 4+0

Power Line SPDs

DIN RAIL - IEC TYPE 2+3



General Data

Internal configuration	4+0
No. Poles	4-Pole
No. DIN rail modules	4
Network configuration	TNS
IEC SPD Type	Class II + III
EN SPD Type	Type 2+3
Format	Pluggable
Protection Modes	L-PE / N-PE
Leakage current free - LCF	Yes
Product standards	IEC 61643-11; EN 61643-11



PART NUMBERS

PSM4-20/400 PLC TNS IR	77707994
------------------------	----------

SURGE PROTECTION DEVICE (SPD) - IEC TECHNICAL FEATURES

Maximum continuous operating voltage (AC) - U _c [V]	275
Nominal voltage AC 50-60 Hz - U _n [V]	230/400
Nominal discharge current (8/20)- I _n [kA]	10
Max Discharge Current (8/20) - I _{max} [kA]	20
Voltage protection level at I _n - U _p [kV]	≤1,5
Combined Discharge Voltage (1,2/50) (U _{oc}) [kV]	10
Maximum back-up fuse [A [gG]]	80
Short circuit withstand- I _{sc} [kA]	25
Response time - t _A [ns]	≤100
Dynamic thermal disconnection	Yes
Thermal protection behaviour	OCM (Open Circuit Mode)

SURGE PROTECTION DEVICE (SPD) - UL TECHNICAL FEATURES

Maximum continuous operating voltage - MCOV (L-L) [V]	640
Maximum continuous operating voltage - MCOV (L-N) [V]	320
Maximum continuous operating voltage - MCOV (L-G) [V]	320
Maximum continuous operating voltage - MCOV (N-G) [V]	277

MECHANICAL AND ENVIRONMENTAL FEATURES

Temperature range [°C]	-40 ... 85
Humidity range [%]	5 ... 95
Indication System Type	Green (OK) / Not green (replace)
Insulating material	PA66 CT1
Enclosure - IP	IP20
Flammability class	UL94 V-0
Solid conductor cross section	6...35 mm ²
Stranded conductor cross section	6...25 mm ²

DATASHEET

This document is subject to change at any time without notice www.cirprotec.com | Lepanto 49 · 08223 Terrassa, Barcelona Spain © 2024 Cirprotec SLU | All rights reserved

cirprotec

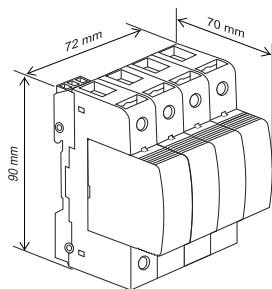
PSM 20 PLC 4+0

Power Line SPDs
DIN RAIL - IEC TYPE 2+3

Continue MECHANICAL AND ENVIRONMENTAL FEATURES

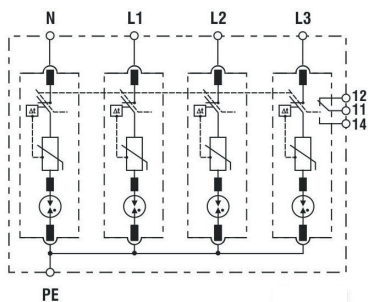
Torque rating [N m]	3
Remote indication conductor cross section [mm ²]	0.08 ... 1.5
Remote indication switching capacity [V/A]	AC: 125/0.2 DC: 250/1
Remote Indication Torque [N m]	0.2

DIMENSIONS AND WEIGHT



Net Weight [kg]	0.432
Gross weight [kg]	0.459
Packaging dimensions (H x W x L) [mm]	117 × 78 × 90

INTERNAL CONFIGURATION



REPLACEMENT CARTRIDGES

PSM-20/400 PLC (Line)	77707670
-----------------------	----------