

PSM AC 3+0 Reinforced

Photovoltaic & Energy Storage SPDs
DIN RAIL - IEC AC Reinforced



General Data

Internal configuration	3+0 R
No. Poles	4-Pole
No. DIN rail modules	4
Network configuration	TNC
IEC SPD Type	Class II
EN SPD Type	Type 2
UL SPD Type	Type 2 Component Assembly
Format	Pluggable
Protection Modes	L-PE(N)
Product standards	IEC/EN 61643-11; UL 1449 5th Edition



PART NUMBERS

XXX	850
PSM3-30/XXXR	77707786
PSM3-30/XXXR IR (with Remote Indication)	77707787

SURGE PROTECTION DEVICE (SPD) - IEC TECHNICAL FEATURES

PSM3-30/XXXR, PSM3-30/XXXR IR (with Remote Indication)	850
Maximum continuous operating voltage (AC) - Uc [V]	1700
Nominal voltage AC 50-60 Hz - Un [V]	480/830
Nominal discharge current (8/20)- In [kA]	15
Max Discharge Current (8/20) - Imax [kA]	30
Maximum peak voltage withstand (DC) (L-PE) - Upeak (L-PE) [V]	2200
Voltage protection level at In - Up [kV]	≤6
Maximum back-up fuse [A [gG]]	80
Short circuit withstand- Isccr [kA]	25
Response time - tA [ns]	≤25
Dynamic thermal disconnection	Yes
Thermal protection behaviour	OCM (Open Circuit Mode)

SURGE PROTECTION DEVICE (SPD) - UL TECHNICAL FEATURES

PSM3-30/XXXR, PSM3-30/XXXR IR (with Remote Indication)	850
Nominal discharge current (8/20) - In [kA]	10
Maximum continuous operating voltage - MCOV (L-L) [V]	1700
Maximum continuous operating voltage - MCOV (L-G) [V]	1700
Voltage protection rating - VPR (L-L) [V]	5000
Voltage protection rating - VPR (L-G) [V]	5000

MECHANICAL AND ENVIRONMENTAL FEATURES

PSM3-30/XXXR, PSM3-30/XXXR IR (with Remote Indication)	850
Temperature range [°C]	-40 ... 85
Humidity range [%]	5 ... 95

DATASHEET

This document is subject to change at any time without notice www.cirprotec.com | Lepanto 49 · 08223 Terrassa, Barcelona Spain © 2024 Cirprotec SLU | All rights reserved

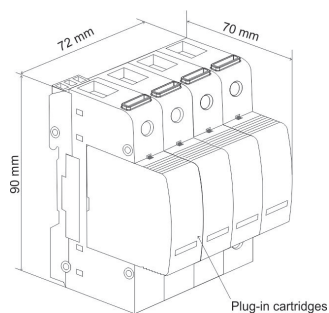
cirprotec

PSM AC 3+0 Reinforced

Continue PSM3-30/XXXXR, PSM3-30/XXXXR IR (with Remote Indication)

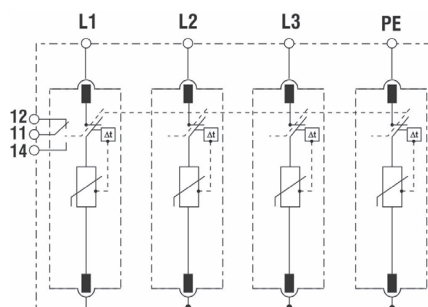
PSM3-30/XXXXR, PSM3-30/XXXXR IR (with Remote Indication)	850
Indication System Type	Green (OK) / Not green (replace)
Insulating material	PA66 CT1
Enclosure - IP	IP20
Flammability class	UL94 V-0
Solid conductor cross section	6...35 mm ²
Stranded conductor cross section	6...25 mm ²
Torque rating [N m]	3
Remote indication conductor cross section [mm ²]	0.08 ... 1.5
Remote indication switching capacity [V/A]	AC: 125/3 DC: 250/1
Remote Indication Torque [N m]	0.2

DIMENSIONS AND WEIGHT



PSM3-30/XXXXR PSM3-30/XXXXR IR (with Remote Indication)	850
Net Weight [kg]	0.513
Gross weight [kg]	0.558
Packaging dimensions (H x W x L) [mm]	117 × 78 × 90

INTERNAL CONFIGURATION



REPLACEMENT CARTRIDGES

PSM3-30/XXXXR PSM3-30/XXXXR IR (with Remote Indication)	850
PSM-XX/YYY (Line)	77707689

DATASHEET

This document is subject to change at any time without notice www.cirprotec.com | Lepanto 49 · 08223 Terrassa, Barcelona Spain © 2024 Cirprotec SLU | All rights reserved