

V-CHECK 2MPT mini

Power Frequency Overvoltage Protection Devices
SPD+POP incl. MCB



General Data

Internal configuration	1+1
No. Poles	2-Pole
No. poles + configuration	2 Poles, 1P+N
No. DIN rail modules	3
Network configuration	TT, TNS
IEC SPD Type	Class II
EN SPD Type	Type 2
Protection Modes	L-N / N-PE
Product standards	EN 50550; UNE 50550; IEC 63052; EN 61643-11



PART NUMBERS

XX	10	16	20	25	32	40	50	63
V-CHECK 2MPT mini- XX	77706512	77706513	77706514	77706515	77706516	77706517	77706518	77706519

MINIATURE CIRCUIT BREAKER (MCB)

V-CHECK 2MPT mini- XX	10	16	20	25	32	40	50	63
MCB Nominal current - In (IGA) [A]	10	16	20	25	32	40	50	63
Tripping curve	C							
Frequency [Hz]	50							
Breaking capacity EN 60898 - Icn [A]	6000							
Breaking capacity EN 60947-2 - Icn [kA]	10							
Rigid bare wire [mm]	10							
Flexible bare wire [mm]	10							

POWER FREQUENCY OVERVOLTAGE PROTECTOR (POP)

V-CHECK 2MPT mini- XX	10	16	20	25	32	40	50	63
Actuation method	Integrated MCB							
Test button	Yes							

Limit values for response and non-response times according to UNE-EN 50550:

Voltagés (V)	255	275	300	350	400
Maximum break time (s)	No tripping	15	5	0,75	0,20
Minimum non-actuating time (s)	No tripping	3	1	0,25	0,07

SURGE PROTECTION DEVICE (SPD) - IEC TECHNICAL FEATURES

V-CHECK 2MPT mini- XX	10	16	20	25	32	40	50	63
Maximum continuous operating voltage (AC) - Uc (L-N) [V]	275							
Maximum continuous operating voltage (AC) - Uc (N-PE) [V]	254							
Nominal voltage AC 50-60 Hz - Un [V]	230/400							
Nominal voltage AC 50-60 Hz - Un(L-N) [V]	230							
Nominal discharge current (8/20) - In (L-N) [kA]	5							
Max Discharge Current (8/20) - Imax (L-N) [kA]	15							

DATASHEET

This document is subject to change at any time without notice www.cirprotec.com | Lepanto 49 · 08223 Terrassa, Barcelona Spain © 2024 Cirprotec SLU | All rights reserved

cirprotec

V-CHECK 2MPT mini

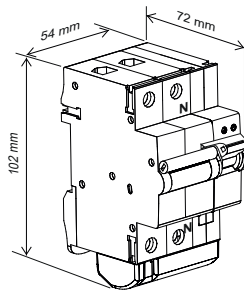
Continue V-CHECK 2MPT mini- **XX**

V-CHECK 2MPT mini- XX	10	16	20	25	32	40	50	63
Voltage protection level at In - Up (L-N) [kV]					≤1,2			
Voltage protection level at In - Up (N-PE) [kV]					≤1,5			
Response time - tA (L-N) [ns]					≤25			
Response time - tA (N-PE) [ns]					≤100			
Dynamic thermal disconnection					Yes			

MECHANICAL AND ENVIRONMENTAL FEATURES

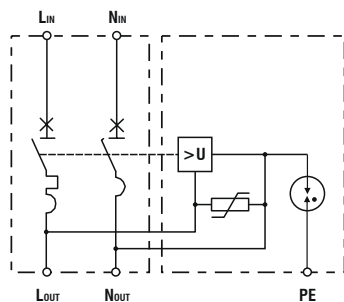
V-CHECK 2MPT mini- XX	10	16	20	25	32	40	50	63
Temperature range [°C]					-5 ... 40			
Humidity range [%]					5 ... 95			
Housing color					Grey RAL 7035			
Enclosure - IP					IP20			
Solid conductor cross section					6...35 mm ²			
Stranded conductor cross section					6...25 mm ²			
MCB torque [N m]					2			

DIMENSIONS AND WEIGHT



V-CHECK 2MPT mini- XX	10	16	20	25	32	40	50	63
Net Weight [kg]					0.324			
Gross weight [kg]					0.37			
Packaging dimensions (H x W x L) [mm]					117 × 63 × 90			

INTERNAL CONFIGURATION



DATASHEET

This document is subject to change at any time without notice www.cirprotec.com | Lepanto 49 · 08223 Terrassa, Barcelona Spain © 2024 Cirprotec SLU | All rights reserved

cirprotec