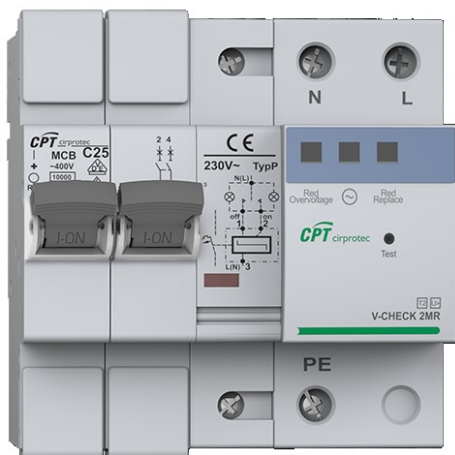


V-CHECK 2MR

Power Frequency Overvoltage Protection Devices
SPD+POP Autorecloser



General Data

Internal configuration	1+1
No. Poles	2-Pole
No. poles + configuration	2 Poles, 1P+N
No. DIN rail modules	5
Network configuration	TT, TNS
IEC SPD Type	Class II
EN SPD Type	Type 2
Protection Modes	L-N / N-PE
Product standards	EN 50550; IEC 63052; EN 61643-11



PART NUMBERS

XX	6	10	16	20	25	32	40
V-CHECK 2MR-XX	77706256	77706257	77706295	77706296	77706250	77706297	77706255

MINIATURE CIRCUIT BREAKER (MCB)

V-CHECK 2MR-XX	6	10	16	20	25	32	40
MCB Nominal current - In (IGA) [A]	6	10	6		25	6	40
Tripping curve	C						
Frequency [Hz]	50						
Breaking capacity EN 60898 - Icn [A]	10000						
Breaking capacity EN 60947-2 - Icn [kA]	15						
Rigid bare wire [mm]	10						
Flexible bare wire [mm]	10						

POWER FREQUENCY OVERVOLTAGE PROTECTOR (POP)

V-CHECK 2MR-XX	6	10	16	20	25	32	40
Actuation method	Integrated MCB						
Automatic reconnection	Yes						
Flexible bare wire of shunt release [mm]	6						
Test button	Yes						
Min. flexible cable section of shunt release [mm ²]	1.5						
Max. flexible conductor section of shunt release [mm ²]	2.5						
Min. rigid conductor section of shunt release [mm ²]	1.5						
Max. rigid conductor section of shunt release [mm ²]	3.5						
Rigid bare wire of shunt release [mm]	6						

SURGE PROTECTION DEVICE (SPD) - IEC TECHNICAL FEATURES

V-CHECK 2MR-XX	6	10	16	20	25	32	40
Maximum continuous operating voltage (AC) - Uc (L-N) [V]	400						
Maximum continuous operating voltage (AC) - Uc (N-PE) [V]	255						
Nominal voltage AC 50-60 Hz - Un [V]	230/400						

DATASHEET

This document is subject to change at any time without notice www.cirprotec.com | Lepanto 49 · 08223 Terrassa, Barcelona Spain © 2024 Cirprotec SLU | All rights reserved

cirprotec

V-CHECK 2MR

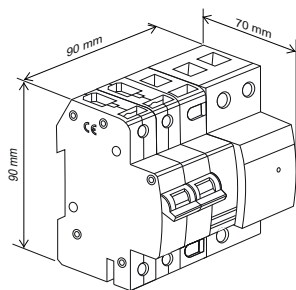
Continue V-CHECK 2MR-XX

V-CHECK 2MR-XX	6	10	16	20	25	32	40
Nominal voltage AC 50-60 Hz - Un(L-N) [V]				230			
Nominal discharge current (8/20) - In (L-N) [kA]				5			
Max Discharge Current (8/20) - I _{max} (L-N) [kA]				20			
Voltage protection level at In - Up (L-N) [kV]				≤1,8			
Voltage protection level at In - Up (N-PE) [kV]				≤1,5			
Response time - t _A (L-N) [ns]				≤25			
Response time - t _A (N-PE) [ns]				≤100			
Dynamic thermal disconnection				Yes			

MECHANICAL AND ENVIRONMENTAL FEATURES

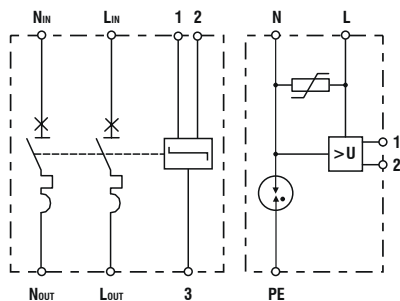
V-CHECK 2MR-XX	6	10	16	20	25	32	40
Temperature range [°C]				-5 ... 40			
Humidity range [%]				5 ... 95			
Indication System Type				LED			
Housing color				Grey RAL 7035			
Enclosure - IP				IP20			
Solid conductor cross section				6...35 mm ²			
Stranded conductor cross section				6...25 mm ²			

DIMENSIONS AND WEIGHT



V-CHECK 2MR-XX	6	10	16	20	25	32	40
Net Weight [kg]				0.484			
Gross weight [kg]				0.535			
Packaging dimensions (H x W x L) [mm]				106 × 94 × 93			

INTERNAL CONFIGURATION



DATASHEET

This document is subject to change at any time without notice www.cirprotec.com | Lepanto 49 · 08223 Terrassa, Barcelona Spain © 2024 Cirprotec SLU | All rights reserved

cirprotec