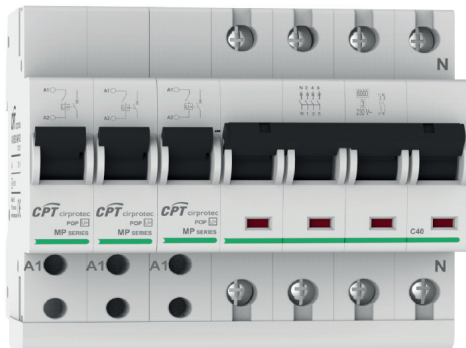


V-CHECK 4MP

Power Frequency Overvoltage Protection Devices
POP incl. MCB



General Data

No. Poles	4-Pole
No. poles + configuration	4 Poles, 3P+N
No. DIN rail modules	7
Network configuration	TT, TNS
Product standards	EN 50550; UNE 50550; IEC 63052



PART NUMBERS

XX	10	16	20	25	32	40	50	63
V-CHECK 4MP-XX	77706372	77706373	77706374	77706375	77706376	77706377	77706378	77706379

MINIATURE CIRCUIT BREAKER (MCB)

V-CHECK 4MP-XX	10	16	20	25	32	40	50	63
MCB Nominal current - In (IGA) [A]	10	16	20	25	32	40	50	63
Tripping curve	C							
Frequency [Hz]	50							
Breaking capacity EN 60898 - Icn [A]	6000							
Breaking capacity EN 60947-2 - Icn [kA]	10							
Rigid bare wire [mm]	14							
Flexible bare wire [mm]	14							

POWER FREQUENCY OVERVOLTAGE PROTECTOR (POP)

V-CHECK 4MP-XX	10	16	20	25	32	40	50	63
Actuation method	Integrated MCB							
Nominal voltage AC 50-60 Hz - Un [V]	230/400							

Limit values for response and non-response times according to UNE-EN 50550:

Voltages (V)	255	275	300	350	400
Maximum break time (s)	No tripping	15	5	0,75	0,20
Minimum non-actuating time (s)	No tripping	3	1	0,25	0,07

DATASHEET

This document is subject to change at any time without notice www.cirprotec.com | Lepanto 49 · 08223 Terrassa, Barcelona Spain © 2024 Cirprotec SLU | All rights reserved

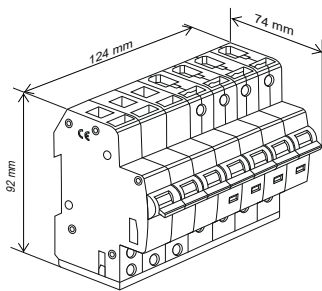
cirprotec

V-CHECK 4MP

MECHANICAL AND ENVIRONMENTAL FEATURES

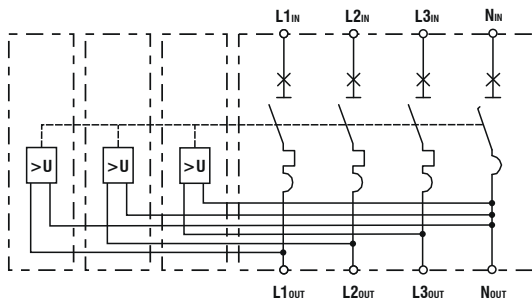
V-CHECK 4MP-XX	10	16	20	25	32	40	50	63
Temperature range [°C]	-5 ... 40							
Housing color	Grey RAL 7035							
Enclosure - IP	IP20							
Solid conductor cross section	6...35 mm ²							
Stranded conductor cross section	6...25 mm ²							
MCB torque [N m]	2							

DIMENSIONS AND WEIGHT



V-CHECK 4MP-XX	10	16	20	25	32	40	50	63
Net Weight [kg]	0.7							
Gross weight [kg]	0.745							
Packaging dimensions (H x W x L) [mm]	133 × 95 × 82							

INTERNAL CONFIGURATION



DATASHEET