

# V-CHECK 4MPT-PLUS

Power Frequency Overvoltage Protection Devices  
SPD+POP incl. MCB



## General Data

Internal configuration	3+1
No. Poles	4-Pole
No. poles + configuration	4 Poles, 3P+N
No. DIN rail modules	9
Network configuration	TT, TNS
IEC SPD Type	Class II
EN SPD Type	Type 2
Protection Modes	L-N / N-PE
Product standards	EN 50550; UNE 50550; IEC 63052; EN 61643-11



## PART NUMBERS

XX	16	20	25	32	40	50	63
V-CHECK 4MPT-XX PLUS	77706468	77706466	77706461	77706462	77706463	77706464	77706465

## MINIATURE CIRCUIT BREAKER (MCB)

V-CHECK 4MPT-XX PLUS	16	20	25	32	40	50	63
MCB Nominal current - In (IGA) [A]	16	20	25	32	40	50	63
Tripping curve	C						
Frequency [Hz]	50						
Breaking capacity EN 60898 - Icn [A]	6000						
Breaking capacity EN 60947-2 - Icn [kA]	10						
Rigid bare wire [mm]	10						
Flexible bare wire [mm]	10						

## POWER FREQUENCY OVERVOLTAGE PROTECTOR (POP)

V-CHECK 4MPT-XX PLUS	16	20	25	32	40	50	63
Actuation method	Integrated MCB						
Flexible bare wire of shunt release [mm]	6						
Test button	Yes						
Min. flexible cable section of shunt release [mm <sup>2</sup> ]	1.5						
Max. flexible conductor section of shunt release [mm <sup>2</sup> ]	2.5						
Min. rigid conductor section of shunt release [mm <sup>2</sup> ]	1.5						
Max. rigid conductor section of shunt release [mm <sup>2</sup> ]	3.5						
Rigid bare wire of shunt release [mm]	6						

Limit values for response and non-response times according to UNE-EN 50550:

Voltages (V)	255	275	300	350	400
Maximum break time (s)	No tripping	15	5	0,75	0,20
Minimum non-actuating time (s)	No tripping	3	1	0,25	0,07

## DATASHEET

This document is subject to change at any time without notice [www.cirprotec.com](http://www.cirprotec.com) | Lepanto 49 · 08223 Terrassa, Barcelona Spain © 2024 Cirprotec SLU | All rights reserved

**cirprotec**

# V-CHECK 4MPT-PLUS

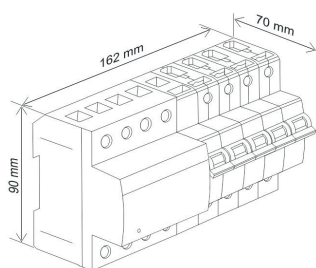
## SURGE PROTECTION DEVICE (SPD) - IEC TECHNICAL FEATURES

V-CHECK 4MPT-XX PLUS	16	20	25	32	40	50	63
Maximum continuous operating voltage (AC) - Uc (L-N) [V]				400			
Maximum continuous operating voltage (AC) - Uc (N-PE) [V]				254			
Nominal voltage AC 50-60 Hz - Un [V]				230/400			
Nominal voltage AC 50-60 Hz - Un(L-L) [V]				400			
Nominal voltage AC 50-60 Hz - Un(L-N) [V]				230			
Nominal discharge current (8/20) - In (L-N) [kA]				15			
Max Discharge Current (8/20) - I <sub>max</sub> (L-N) [kA]				40			
Voltage protection level at In - Up (L-N) [kV]				≤1,8			
Voltage protection level at In - Up (N-PE) [kV]				≤1,8			
Response time - t <sub>A</sub> (L-N) [ns]				≤25			
Response time - t <sub>A</sub> (N-PE) [ns]				≤100			
Dynamic thermal disconnection				Yes			

## MECHANICAL AND ENVIRONMENTAL FEATURES

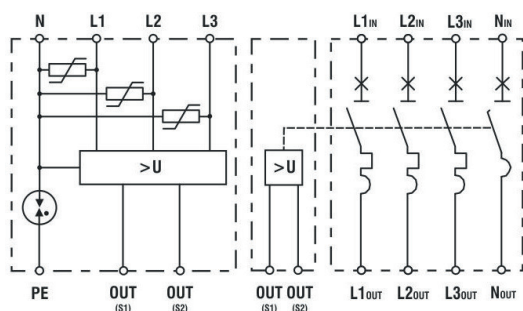
V-CHECK 4MPT-XX PLUS	16	20	25	32	40	50	63
Temperature range [°C]				-40 ... 60			
Humidity range [%]				5 ... 95			
Indication System Type				LED			
Housing color				Grey RAL 7035			
Enclosure - IP				IP20			
Solid conductor cross section				6...35 mm <sup>2</sup>			
Stranded conductor cross section				6...25 mm <sup>2</sup>			
MCB torque [N m]				4			

## DIMENSIONS AND WEIGHT



V-CHECK 4MPT-XX PLUS	16	20	25	32	40	50	63
Net Weight [kg]							0.868
Gross weight [kg]							0.915
Packaging dimensions (H x W x L) [mm]							177 x 105 x 80

## INTERNAL CONFIGURATION



## DATASHEET