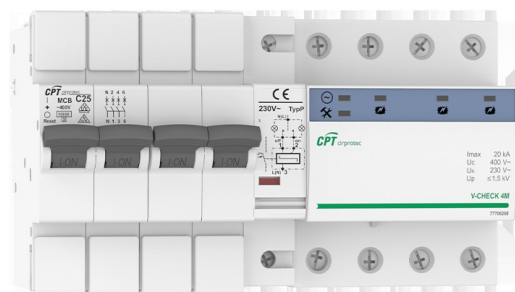


# V-CHECK 4MR

Power Frequency Overvoltage Protection Devices  
SPD+POP Autorecloser



## General Data

Internal configuration	3+1
No. Poles	4-Pole
No. poles + configuration	4 Poles, 3P+N
No. DIN rail modules	9
Network configuration	TT, TNS
IEC SPD Type	Class II
EN SPD Type	Type 2
Protection Modes	L-N / N-PE
Product standards	EN 50550; IEC 63052; EN 61643-11



## PART NUMBERS

XX	10	16	20	25	32	40	50	63
V-CHECK 4MR-XX	77706267	77706268	77706266	77706261	77706262	77706263	77706264	77706265

## MINIATURE CIRCUIT BREAKER (MCB)

V-CHECK 4MR-XX	10	16	20	25	32	40	50	63
MCB Nominal current - In (IGA) [A]	10	16	20	25	32	40	50	63
Tripping curve	C							
Frequency [Hz]	50							
Breaking capacity EN 60898 - Icn [A]	6000							
Breaking capacity EN 60947-2 - Icn [kA]	10							
Rigid bare wire [mm]	10							
Flexible bare wire [mm]	10							

## POWER FREQUENCY OVERVOLTAGE PROTECTOR (POP)

V-CHECK 4MR-XX	10	16	20	25	32	40	50	63
Actuation method	Integrated MCB							
Automatic reconnection	Yes							
Flexible bare wire of shunt release [mm]	6							
Min. flexible cable section of shunt release [mm <sup>2</sup> ]	1.5							
Max. flexible conductor section of shunt release [mm <sup>2</sup> ]	2.5							
Min. rigid conductor section of shunt release [mm <sup>2</sup> ]	1.5							
Max. rigid conductor section of shunt release [mm <sup>2</sup> ]	3.5							
Rigid bare wire of shunt release [mm]	6							

## SURGE PROTECTION DEVICE (SPD) - IEC TECHNICAL FEATURES

V-CHECK 4MR-XX	10	16	20	25	32	40	50	63
Maximum continuous operating voltage (AC) - Uc (L-N) [V]	275							
Maximum continuous operating voltage (AC) - Uc (N-PE) [V]	400							
Nominal voltage AC 50-60 Hz - Un [V]	230/400							

## DATASHEET

This document is subject to change at any time without notice [www.cirprotec.com](http://www.cirprotec.com) | Lepanto 49 · 08223 Terrassa, Barcelona Spain © 2024 Cirprotec SLU | All rights reserved

**cirprotec**

# V-CHECK 4MR

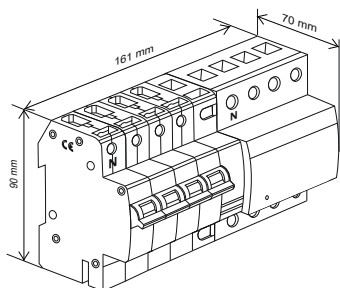
Continue V-CHECK 4MR-XX

V-CHECK 4MR-XX	10	16	20	25	32	40	50	63
Nominal voltage AC 50-60 Hz - Un(L-L) [V]					400			
Nominal voltage AC 50-60 Hz - Un(L-N) [V]					230			
Nominal discharge current (8/20) - In (L-N) [kA]					5			
Max Discharge Current (8/20) - I <sub>max</sub> (L-N) [kA]					20			
Voltage protection level at In - Up (L-N) [kV]					≤1,5			
Voltage protection level at In - Up (N-PE) [kV]					≤1,5			
Response time - t <sub>A</sub> (L-N) [ns]					≤25			
Response time - t <sub>A</sub> (N-PE) [ns]					≤100			
Dynamic thermal disconnection					Yes			

## MECHANICAL AND ENVIRONMENTAL FEATURES

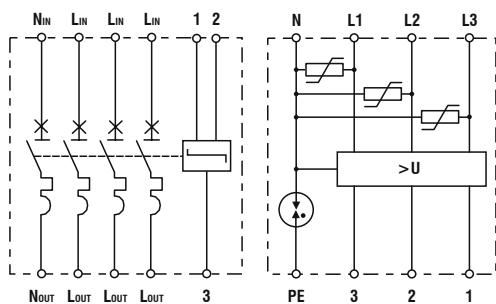
V-CHECK 4MR-XX	10	16	20	25	32	40	50	63
Temperature range [°C]					-5 ... 40			
Humidity range [%]					5 ... 95			
Indication System Type					LED			
Housing color					Grey RAL 7035			
Enclosure - IP					IP20			
Solid conductor cross section					6...35 mm <sup>2</sup>			
Stranded conductor cross section					6...25 mm <sup>2</sup>			

## DIMENSIONS AND WEIGHT



V-CHECK 4MR-XX	10	16	20	25	32	40	50	63
Net Weight [kg]					0.981			
Gross weight [kg]					0.965			
Packaging dimensions (H x W x L) [mm]					180 × 106 × 80			

## INTERNAL CONFIGURATION



## DATASHEET

This document is subject to change at any time without notice [www.cirprotec.com](http://www.cirprotec.com) | Lepanto 49 · 08223 Terrassa, Barcelona Spain © 2024 Cirprotec SLU | All rights reserved

**cirprotec**